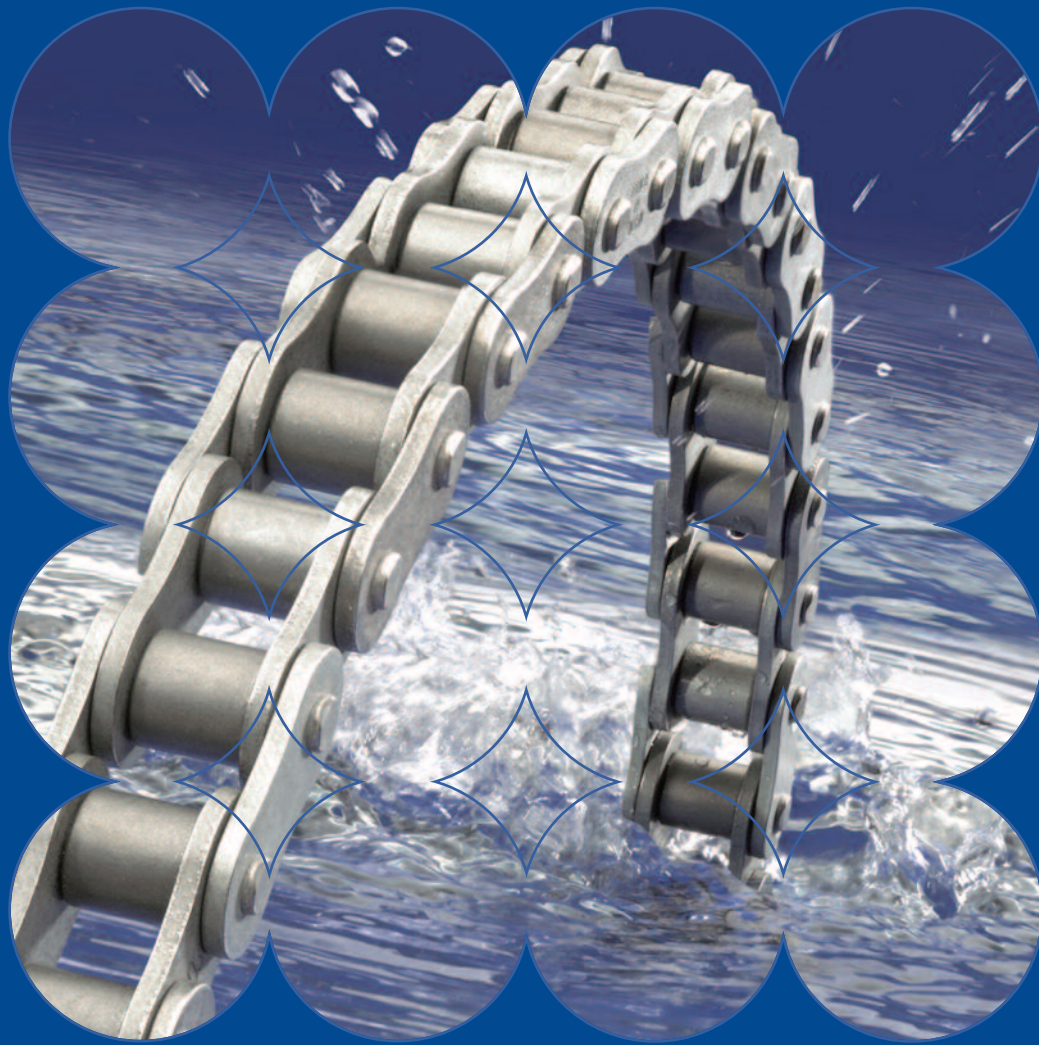


Hydro-Service[®]

Superior corrosion resistance for chain



RENOLD
Superior Chain Technology

Renold Hydro-Service

Superior corrosion resistance for chain

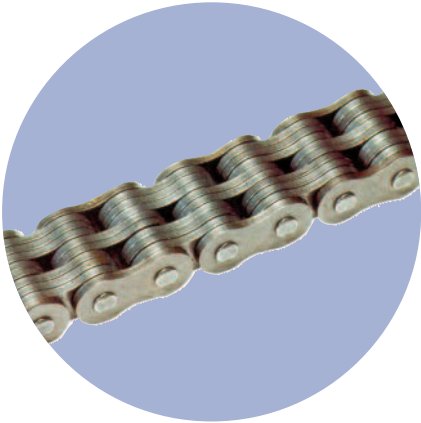
More and more applications demand chain that can withstand corrosion brought on by wash down or high moisture levels and the reassurance that the chain itself will not contaminate its immediate surroundings.

With conventional plating processes prone to chipping, flaking or peeling, there has to be a tough, durable solution that has all the right qualities. That's where Renold Hydro-Service® comes in.

Hydro-Service® is designed to resist corrosion and has been heavily used in packaging, bottling, food processing and wash down environments. Renold Hydro-Service® is treated with a mechanical zinc plating process with additional coatings applied for extra corrosion protection. The corrosion resistance of this coating in many wet, humid, saltwater or other moisture-related applications is far superior to standard nickel or zinc plating.

Unlike some products treated in a similar way for corrosion resistance, Hydro-Service® chain is hexavalent chrome-free, ensuring that it is safe and also environmentally friendly. This coating can be applied to standard or adapted, European (BS) or ANSI chain.





Remember, Hydro-Service® corrosion protection is available on roller chain, conveyor chain or leaf chain, European (BS) or ANSI, adapted or standard chain.

All components of the Hydro-Service® chain are treated prior to assembly in order to achieve full coverage and protection to all vital surfaces, not just external surfaces, ensuring a resistance to corrosion that's 30 times more effective than standard carbon steel chain. This helps to improve chain wear life and protect against corrosion-related pin and bush failures. Unlike conventional nickel or zinc platings, the Hydro-Service® treatment will not chip or peel. This extremely durable coating will continue to provide exceptional protection where other treatments fail.

Product features include:

- Excellent corrosion resistance
- Hexavalent chrome-free
- More than 30x the corrosion protection of conventional surface treatments
- No hydrogen embrittlement failures
- More economical than stainless steel chain
- Same strength and working load values as standard carbon steel chain

Potential Applications

- Saltwater environments
- Meat and poultry processing plants
- Vegetable processing plants
- Seafood processing plants
- Beverage plants
- Washdown equipment
- Outdoor applications



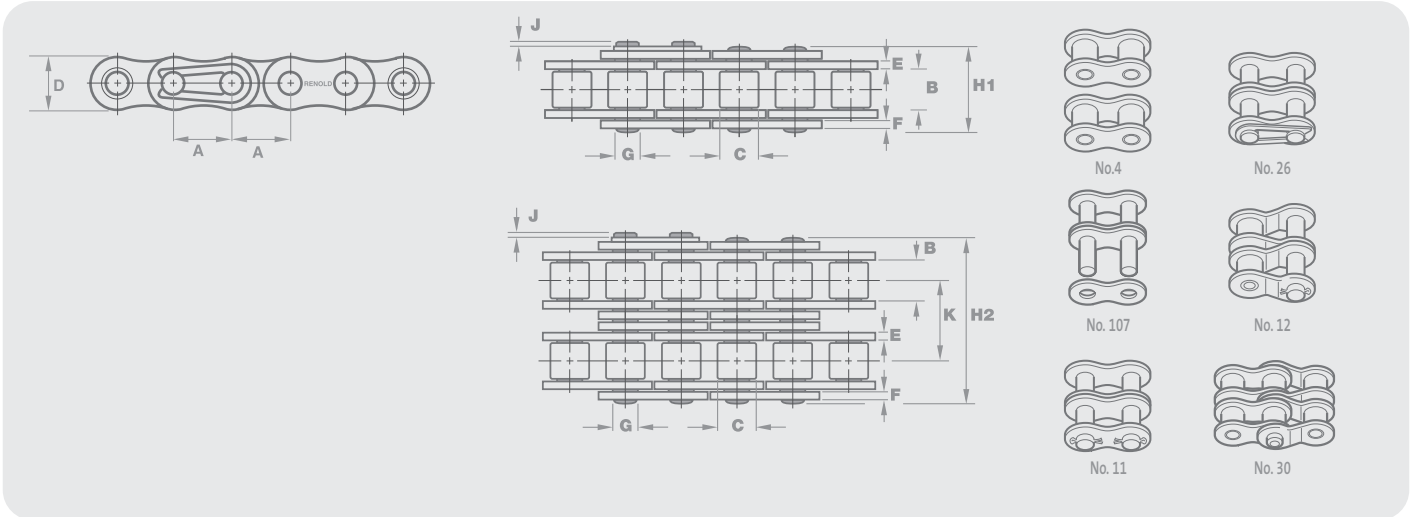
After 60 days of outdoor exposure, Hydro-Service® demonstrates the rust resistance that makes it the best choice for outdoor use.



After 14 days in and out of a 5% saltwater solution (equivalent to sea water) it can be seen that the Hydro-Service® coating will extend the chain life compared to conventional nickel plating or carbon steel in more challenging applications.



Hydro-Service Standard Chain



| Chain Ref. | | Technical Details (mm) | | | | | | | | | | | Connecting Links | | | | | | | |
|------------------|----------|------------------------|------------|--------------|--------------|--------------|-------------------|-------------------|-----------|------------|----------------------|------------------|-----------------------------------|---------------|-------|---------|--------|--------|--------|--------|
| Renold Chain No. | ISO Ref. | Pitch (inch) | Pitch (mm) | Inside Width | Roller Diam. | Plate Height | Plate Width Inner | Plate Width Outer | Pin Diam. | Pin Length | Conn. Link Extension | Transverse Pitch | ISO606 Tensile Strength (Newtons) | Weight (kg/m) | No. 4 | No. 107 | No. 11 | No. 26 | No. 12 | No. 30 |
| | | | | MIN | MAX | MAX | MAX | MAX | MAX | MAX | MAX | NOM | MIN | | | | | | | |

European (BS) Standard - Simplex

| | | A | A | B | C | D | E | F | G | H1 | J | K | | | | | | | | |
|--------|-------|-------|--------|--------|--------|--------|-------|-------|--------|--------|-------|---|--------|-------|---|---|---|---|---|---|
| 06B1HS | 06B-1 | 0.375 | 9.525 | 5.720 | 6.350 | 8.260 | 1.300 | 1.040 | 3.280 | 13.500 | 3.300 | - | 8900 | 0.390 | ✓ | ✓ | - | ✓ | - | ✓ |
| 08B1HS | 08B-1 | 0.500 | 12.700 | 7.750 | 8.510 | 11.810 | 1.550 | 1.550 | 4.450 | 17.000 | 3.900 | - | 17800 | 0.700 | ✓ | ✓ | - | ✓ | - | ✓ |
| 10B1HS | 10B-1 | 0.625 | 15.875 | 9.650 | 10.160 | 14.730 | 1.550 | 1.550 | 5.080 | 18.800 | 1.300 | - | 22200 | 0.920 | ✓ | ✓ | - | ✓ | - | ✓ |
| 12B1HS | 12B-1 | 0.750 | 19.050 | 11.680 | 12.070 | 16.130 | 1.800 | 1.800 | 5.720 | 21.900 | 1.100 | - | 28900 | 1.200 | ✓ | ✓ | - | ✓ | - | ✓ |
| 16B1HS | 16B-1 | 1.000 | 25.400 | 17.020 | 15.880 | 21.080 | 4.120 | 3.100 | 8.280 | 36.100 | 5.400 | - | 60000 | 2.800 | ✓ | ✓ | - | ✓ | ✓ | ✓ |
| 20B1HS | 20B-1 | 1.250 | 31.750 | 19.560 | 19.050 | 26.420 | 4.620 | 3.610 | 10.190 | 43.200 | 6.100 | - | 95000 | 3.850 | ✓ | ✓ | - | ✓ | ✓ | - |
| 24B1HS | 24B-1 | 1.500 | 38.100 | 25.400 | 25.400 | 33.400 | 6.100 | 5.080 | 14.630 | 53.400 | 6.600 | - | 160000 | 7.450 | ✓ | ✓ | ✓ | - | ✓ | - |

European (BS) Standard - Duplex

| | | A | A | B | C | D | E | F | G | H2 | J | K | | | | | | | | |
|--------|-------|-------|--------|--------|--------|--------|-------|-------|--------|---------|-------|--------|--------|--------|---|---|---|---|---|---|
| 06B2HS | 06B-2 | 0.375 | 9.525 | 5.720 | 6.350 | 8.260 | 1.300 | 1.040 | 3.280 | 23.000 | 1.300 | 10.240 | 16900 | 0.740 | ✓ | ✓ | - | ✓ | - | ✓ |
| 08B2HS | 08B-2 | 0.500 | 12.700 | 7.750 | 8.510 | 11.810 | 1.550 | 1.550 | 4.450 | 30.400 | 1.500 | 13.920 | 31100 | 1.380 | ✓ | ✓ | - | ✓ | - | ✓ |
| 10B2HS | 10B-2 | 0.625 | 15.875 | 9.650 | 10.160 | 14.730 | 1.550 | 1.550 | 5.080 | 35.400 | 1.300 | 16.590 | 44500 | 1.800 | ✓ | ✓ | - | ✓ | - | ✓ |
| 12B2HS | 12B-2 | 0.750 | 19.050 | 11.680 | 12.070 | 16.130 | 1.800 | 1.800 | 5.720 | 41.400 | 1.100 | 19.460 | 57800 | 2.400 | ✓ | ✓ | - | ✓ | - | ✓ |
| 16B2HS | 16B-2 | 1.000 | 25.400 | 17.020 | 15.880 | 21.080 | 4.120 | 3.100 | 8.280 | 68.000 | 5.400 | 31.880 | 106000 | 5.500 | ✓ | ✓ | - | ✓ | ✓ | - |
| 20B2HS | 20B-2 | 1.250 | 31.750 | 19.560 | 19.050 | 26.420 | 4.620 | 3.610 | 10.190 | 76.700 | 2.700 | 36.450 | 170000 | 7.800 | ✓ | ✓ | - | ✓ | ✓ | - |
| 24B2HS | 24B-2 | 1.500 | 38.100 | 25.400 | 25.400 | 33.400 | 6.100 | 5.080 | 14.630 | 101.300 | 6.800 | 48.360 | 280000 | 14.800 | ✓ | ✓ | ✓ | - | ✓ | - |

| Chain Ref. | | Technical Details (mm) | | | | | | | | | | | Connecting Links | | | | | | | | |
|------------------|-----------|------------------------|------------|--------------|--------------|--------------|-------------------|-------------------|-----------|------------|----------------------|------------------|-----------------------------------|---------------|-------|---------|--------|--------|--------|--------|--------|
| Renold Chain No. | ANSI Ref. | Pitch (inch) | Pitch (mm) | Inside Width | Roller Diam. | Plate Height | Plate Width Inner | Plate Width Outer | Pin Diam. | Pin Length | Conn. Link Extension | Transverse Pitch | ISO606 Tensile Strength (Newtons) | Weight (kg/m) | No. 4 | No. 107 | No. 11 | No. 26 | No. 58 | No. 12 | No. 30 |
| | | | | MIN | MAX | MAX | MAX | MAX | MAX | MAX | MAX | NOM | MIN | | | | | | | | |

ANSI Standard - Simplex

| | | A | A | B | C | D | E | F | G | H1 | J | K | | | | | | | | | |
|---------|-------|-------|--------|--------|--------|--------|-------|-------|--------|--------|-------|---|--------|-------|---|---|---|---|---|---|---|
| 25A1HS | 25-1 | 0.250 | 6.350 | 3.100 | 3.300 | 5.900 | 0.760 | 0.760 | 2.300 | 7.900 | 2.200 | - | 3500 | 0.130 | ✓ | ✓ | - | ✓ | - | - | ✓ |
| 35A1HS | 35-1 | 0.375 | 9.525 | 4.680 | 5.080 | 9.050 | 1.300 | 1.300 | 3.590 | 12.000 | 1.100 | - | 7900 | 0.330 | ✓ | ✓ | - | ✓ | - | - | ✓ |
| 40A1HS | 40-1 | 0.500 | 12.700 | 7.850 | 7.920 | 12.070 | 1.550 | 1.550 | 3.980 | 16.400 | 1.400 | - | 13900 | 0.600 | ✓ | ✓ | ✓ | ✓ | - | - | ✓ |
| 50A1HS | 50-1 | 0.625 | 15.875 | 9.400 | 10.160 | 15.090 | 2.030 | 2.030 | 5.090 | 20.400 | 1.100 | - | 21800 | 1.000 | ✓ | ✓ | ✓ | ✓ | - | - | ✓ |
| 60A1HS | 60-1 | 0.750 | 19.050 | 12.570 | 11.910 | 18.100 | 2.390 | 2.390 | 5.960 | 25.300 | 1.100 | - | 31300 | 1.470 | ✓ | ✓ | ✓ | ✓ | - | - | ✓ |
| 80A1HS | 80-1 | 1.000 | 25.400 | 15.750 | 15.880 | 24.130 | 3.250 | 3.250 | 7.940 | 32.700 | 3.000 | - | 55600 | 2.800 | ✓ | ✓ | ✓ | ✓ | - | ✓ | - |
| 100A1HS | 100-1 | 1.250 | 31.750 | 18.900 | 19.050 | 30.170 | 4.060 | 4.060 | 9.540 | 39.700 | 4.200 | - | 87000 | 4.200 | ✓ | ✓ | ✓ | ✓ | - | ✓ | - |
| 120A1HS | 120-1 | 1.500 | 38.100 | 25.230 | 22.230 | 36.200 | 4.800 | 4.800 | 11.110 | 49.300 | 5.300 | - | 125000 | 5.700 | ✓ | ✓ | ✓ | ✓ | - | ✓ | - |

ANSI Standard - Duplex

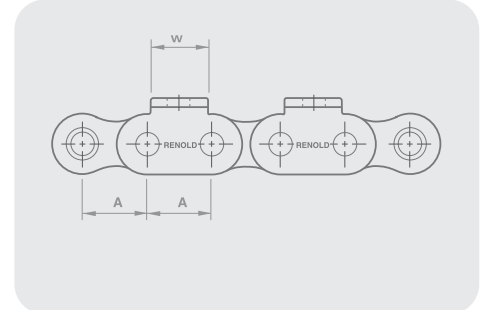
| | | A | A | B | C | D | E | F | G | H2 | J | K | | | | | | | | | |
|---------|-------|-------|--------|--------|--------|--------|-------|-------|--------|--------|-------|--------|--------|--------|---|---|---|---|---|---|---|
| 25A2HS | 25-2 | 0.250 | 6.350 | 3.100 | 3.300 | 6.020 | 0.760 | 0.760 | 2.300 | 15.500 | 2.200 | 6.400 | 7000 | 0.260 | ✓ | ✓ | - | ✓ | - | - | ✓ |
| 35A2HS | 35-2 | 0.375 | 9.525 | 4.680 | 5.080 | 9.050 | 1.300 | 1.300 | 3.590 | 22.200 | 1.100 | 10.130 | 15800 | 0.650 | ✓ | ✓ | - | ✓ | - | - | ✓ |
| 40A2HS | 40-2 | 0.500 | 12.700 | 7.850 | 7.920 | 12.070 | 1.550 | 1.550 | 3.980 | 30.800 | 1.400 | 14.380 | 27800 | 1.200 | ✓ | ✓ | ✓ | ✓ | - | - | ✓ |
| 50A2HS | 50-2 | 0.625 | 15.875 | 9.400 | 10.160 | 15.090 | 2.030 | 2.030 | 5.090 | 38.400 | 1.100 | 18.110 | 43600 | 2.100 | ✓ | ✓ | ✓ | ✓ | - | - | ✓ |
| 60A2HS | 60-2 | 0.750 | 19.050 | 12.570 | 11.910 | 18.100 | 2.390 | 2.390 | 5.960 | 48.100 | 1.100 | 22.780 | 62600 | 3.050 | ✓ | ✓ | ✓ | ✓ | - | - | ✓ |
| 80A2HS | 80-2 | 1.000 | 25.400 | 15.750 | 15.880 | 24.130 | 3.250 | 3.250 | 7.940 | 61.900 | 3.000 | 29.290 | 111200 | 5.500 | ✓ | ✓ | ✓ | ✓ | - | ✓ | - |
| 100A2HS | 100-2 | 1.250 | 31.750 | 18.900 | 19.050 | 30.170 | 4.060 | 4.060 | 9.540 | 75.400 | 4.200 | 35.760 | 174000 | 8.400 | ✓ | ✓ | ✓ | ✓ | - | ✓ | - |
| 120A2HS | 120-2 | 1.500 | 38.100 | 25.230 | 22.230 | 36.200 | 4.800 | 4.800 | 11.110 | 94.700 | 5.300 | 45.440 | 250000 | 11.000 | ✓ | ✓ | ✓ | ✓ | - | ✓ | - |

Hydro-Service

Standard Chain Attachments

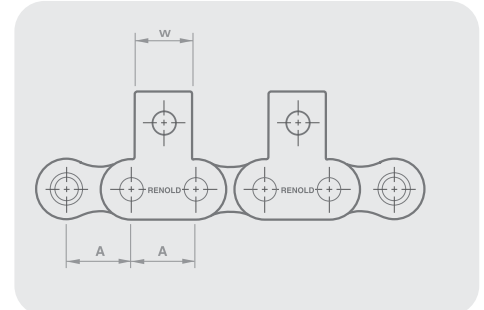
European (BS) K1 attachments

| Technical Details (mm) | | | | | | | | | | |
|------------------------|--------------|------------|-------|-------|--------|--------|--------|--------|--------|---------|
| Chain No. | Pitch (inch) | Pitch (mm) | | | | | | | | |
| | A | A | E | F | w | h | d | g | T | U |
| 06B | 0.375 | 9.525 | 1.250 | 1.000 | 8.000 | 6.700 | 3.300 | 4.100 | 19.600 | 28.500 |
| 08B | 0.500 | 12.700 | 1.510 | 1.510 | 11.000 | 8.900 | 4.300 | 5.900 | 25.400 | 41.700 |
| 10B | 0.625 | 15.875 | 1.510 | 1.510 | 14.000 | 10.300 | 5.300 | 6.800 | 31.800 | 49.600 |
| 12B | 0.750 | 19.050 | 1.760 | 1.760 | 18.000 | 13.500 | 6.600 | 8.100 | 38.100 | 52.700 |
| 16B | 1.000 | 25.400 | 3.700 | 3.000 | 24.000 | 15.900 | 6.600 | 10.500 | 50.800 | 85.600 |
| 20B | 1.250 | 31.750 | 4.400 | 3.500 | 30.000 | 19.900 | 8.400 | 13.200 | 63.500 | 101.100 |
| 24B | 1.500 | 38.100 | 5.400 | 5.000 | 36.000 | 28.000 | 10.500 | 16.700 | 88.000 | 124.700 |



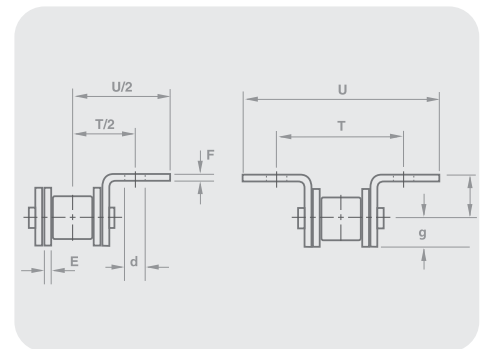
European (BS) M1 attachments

| Technical Details (mm) | | | | | | | | | | |
|------------------------|--------------|------------|-------|-------|--------|--------|--------|--------|--------|--|
| Chain No. | Pitch (inch) | Pitch (mm) | | | | | | | | |
| | A | A | E | F | w | e | f | d | g | |
| 06B | 0.375 | 9.525 | 1.250 | 1.000 | 8.000 | 14.500 | 10.100 | 3.300 | 4.100 | |
| 08B | 0.500 | 12.700 | 1.510 | 1.510 | 11.000 | 20.800 | 13.000 | 4.300 | 5.900 | |
| 10B | 0.625 | 15.875 | 1.510 | 1.510 | 14.000 | 24.900 | 16.500 | 5.300 | 6.800 | |
| 12B | 0.750 | 19.050 | 1.760 | 1.760 | 18.000 | 28.200 | 21.000 | 6.600 | 8.100 | |
| 16B | 1.000 | 25.400 | 3.700 | 3.000 | 24.000 | 39.700 | 23.000 | 6.600 | 10.500 | |
| 20B | 1.250 | 31.750 | 4.400 | 3.500 | 30.000 | 47.500 | 30.500 | 8.400 | 13.200 | |
| 24B | 1.500 | 38.100 | 5.400 | 5.000 | 36.000 | 61.500 | 42.700 | 10.500 | 16.700 | |



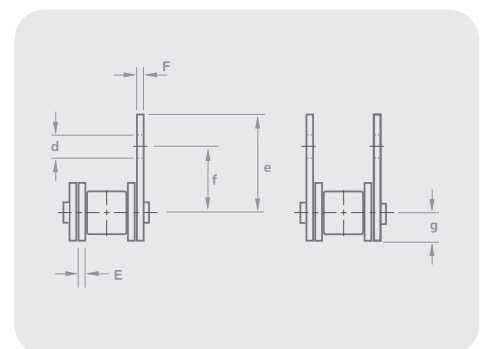
ANSI standard K1 attachments

| Technical Details (mm) | | | | | | | | | | |
|------------------------|--------------|------------|-------|-------|--------|--------|--------|--------|---------|---------|
| Chain No. | Pitch (inch) | Pitch (mm) | | | | | | | | |
| | A | A | E | F | w | h | d | g | T | U |
| 35 | 0.375 | 9.525 | 1.270 | 1.270 | 8.001 | 6.350 | 2.794 | 4.318 | 19.050 | 28.194 |
| 40 | 0.500 | 12.700 | 1.521 | 1.521 | 9.507 | 7.906 | 3.202 | 6.015 | 25.319 | 35.327 |
| 50 | 0.625 | 15.875 | 2.032 | 2.032 | 12.710 | 10.308 | 5.204 | 7.546 | 31.824 | 46.055 |
| 60 | 0.750 | 19.050 | 2.392 | 2.392 | 15.912 | 12.149 | 5.204 | 9.047 | 38.129 | 54.271 |
| 80 | 1.000 | 25.400 | 3.152 | 3.152 | 19.064 | 15.887 | 6.735 | 11.439 | 50.839 | 70.133 |
| 100 | 1.250 | 31.750 | 3.962 | 3.962 | 25.400 | 19.837 | 8.357 | 14.808 | 63.500 | 86.665 |
| 120 | 1.500 | 38.100 | 4.673 | 4.673 | 28.778 | 23.012 | 10.363 | 17.424 | 76.200 | 111.887 |
| 140 | 1.750 | 44.450 | 5.563 | 5.563 | 34.925 | 28.575 | 11.913 | 20.447 | 88.900 | 126.238 |
| 160 | 2.000 | 50.800 | 6.350 | 6.350 | 38.100 | 31.750 | 13.894 | 23.368 | 101.600 | 143.662 |



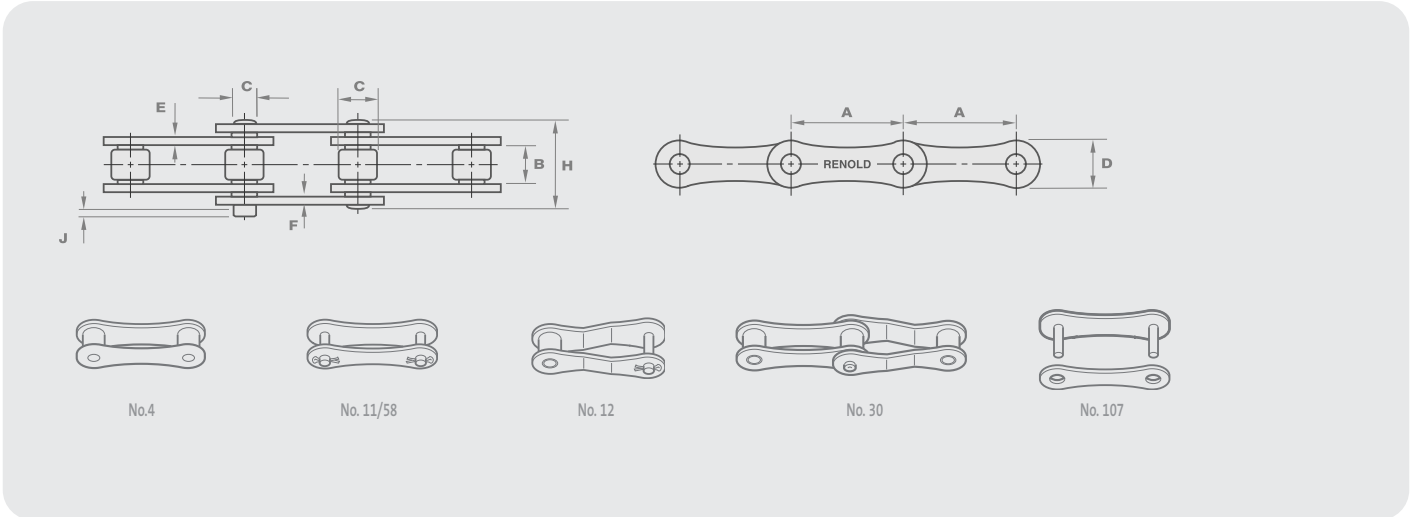
ANSI standard M1 attachments

| Technical Details (mm) | | | | | | | | | | |
|------------------------|--------------|------------|-------|-------|--------|--------|--------|--------|--------|--|
| Chain No. | Pitch (inch) | Pitch (mm) | | | | | | | | |
| | A | A | E | F | w | e | f | d | g | |
| 35 | 0.375 | 9.525 | 1.270 | 1.270 | 8.001 | 14.503 | 9.525 | 2.819 | 4.318 | |
| 40 | 0.500 | 12.700 | 1.521 | 1.521 | 9.507 | 17.413 | 12.429 | 3.202 | 6.015 | |
| 50 | 0.625 | 15.875 | 2.032 | 2.032 | 12.710 | 22.747 | 15.712 | 5.204 | 7.546 | |
| 60 | 0.750 | 19.050 | 2.392 | 2.392 | 15.912 | 26.380 | 18.204 | 5.204 | 9.047 | |
| 80 | 1.000 | 25.400 | 3.152 | 3.152 | 19.064 | 34.316 | 24.609 | 6.735 | 11.439 | |
| 100 | 1.250 | 31.750 | 3.988 | 3.988 | 25.400 | 43.180 | 31.750 | 8.357 | 14.808 | |
| 120 | 1.500 | 38.100 | 4.674 | 4.674 | 28.778 | 53.061 | 36.500 | 10.363 | 17.424 | |
| 140 | 1.750 | 44.450 | 5.563 | 5.563 | 34.925 | 63.094 | 44.450 | 12.598 | 20.447 | |
| 160 | 2.000 | 50.800 | 6.350 | 6.350 | 38.100 | 69.444 | 50.800 | 13.893 | 23.368 | |



Hydro-Service

Standard Double Pitch Chain



| Chain Ref. | | Technical Details (mm) | | | | | | | | | | | | Connecting Links | | | | | | |
|------------------|----------|------------------------|------------|--------------|--------------|--------------|-------------------|-------------------|-----------|------------|----------------------|------------------|-----------------------------------|------------------|-------|---------|--------|--------|--------|--------|
| Renold Chain No. | ISO Ref. | Pitch (inch) | Pitch (mm) | Inside Width | Roller Diam. | Plate Height | Plate Width Inner | Plate Width Outer | Pin Diam. | Pin Length | Conn. Link Extension | Transverse Pitch | ISO606 Tensile Strength (Newtons) | Weight kg/m | No. 4 | No. 107 | No. 11 | No. 12 | No. 30 | No. 58 |
| | | | | MIN | MAX | MAX | MAX | MAX | MAX | MAX | MAX | NOM | MIN | | | | | | | |

European (BS) Standard Double Pitch Chain - Conveyor Series

| | | A | A | B | C | D | E | F | G | H1 | J | K | | | | | | | | | |
|--------|------|-------|--------|--------|--------|--------|-------|-------|-------|--------|-------|---|-------|-------|---|---|---|---|---|---|---|
| 533083 | 208B | 1.000 | 25.400 | 7.750 | 8.510 | 11.430 | 1.550 | 1.550 | 4.450 | 16.600 | 3.900 | - | 17800 | 0.530 | ✓ | ✓ | ✓ | - | ✓ | - | - |
| 533103 | 210B | 1.250 | 31.750 | 9.650 | 10.160 | 13.720 | 1.550 | 1.550 | 5.080 | 19.600 | 4.100 | - | 22200 | 0.660 | ✓ | ✓ | ✓ | - | ✓ | - | - |
| 533123 | 212B | 1.500 | 38.100 | 11.680 | 12.070 | 15.880 | 1.800 | 1.800 | 5.720 | 22.700 | 4.600 | - | 28900 | 0.900 | ✓ | ✓ | ✓ | - | ✓ | - | - |

European (BS) Standard Double Pitch Chain - Drive Series

| | | A | A | B | C | D | E | F | G | H2 | J | K | | | | | | | | | |
|--------|--------|-------|---------|--------|--------|--------|-------|-------|--------|--------|-------|--------|-------|---|---|---|---|---|---|---|---|
| 533168 | 216B-1 | 2.000 | 50.800 | 17.020 | 15.880 | 20.830 | 4.120 | 3.100 | 8.280 | 36.100 | 5.400 | 60000 | 1.800 | ✓ | ✓ | ✓ | - | ✓ | - | - | - |
| 533203 | 220B-1 | 2.500 | 63.500 | 19.560 | 19.050 | 24.640 | 4.620 | 3.610 | 10.190 | 43.200 | 6.100 | 98070 | 2.450 | ✓ | ✓ | ✓ | ✓ | - | - | - | - |
| 533243 | 224B-1 | 3.000 | 76.200 | 25.400 | 25.400 | 33.530 | 6.100 | 5.080 | 14.630 | 53.400 | 6.600 | 160000 | 4.800 | ✓ | ✓ | ✓ | ✓ | - | - | - | - |
| 533323 | 232B-1 | 4.000 | 101.600 | 30.990 | 29.210 | 40.130 | 7.110 | 6.350 | 17.810 | 67.400 | 7.900 | 200000 | 5.950 | ✓ | ✓ | ✓ | ✓ | - | - | - | - |

| Chain Ref. | | Technical Details (mm) | | | | | | | | | | | | Connecting Links | | | | | | |
|------------------|----------|------------------------|------------|--------------|--------------|--------------|-------------------|-------------------|-----------|------------|----------------------|------------------|-----------------------------------|------------------|-------|---------|--------|--------|--------|--------|
| Renold Chain No. | ISO Ref. | Pitch (inch) | Pitch (mm) | Inside Width | Roller Diam. | Plate Height | Plate Width Inner | Plate Width Outer | Pin Diam. | Pin Length | Conn. Link Extension | Transverse Pitch | ISO606 Tensile Strength (Newtons) | Weight kg/m | No. 4 | No. 107 | No. 11 | No. 12 | No. 30 | No. 58 |
| | | | | MIN | MAX | MAX | MAX | MAX | MAX | MAX | MAX | NOM | MIN | | | | | | | |

ANSI Standard Double Pitch Chain - Conveyor Series Standard Roller

| | | A | A | B | C | D | E | F | G | H1 | J | K | | | | | | | | | |
|----------|------|-------|---------|--------|--------|--------|-------|-------|--------|--------|-------|---|--------|-------|---|---|---|---|---|---|---|
| C2040HSC | 2040 | 1.000 | 25.400 | 7.850 | 7.950 | 11.800 | 1.500 | 1.500 | 3.970 | 16.400 | 3.900 | - | 14100 | 0.500 | ✓ | ✓ | ✓ | ✓ | - | ✓ | - |
| C2050HSC | 2050 | 1.250 | 31.750 | 9.400 | 10.160 | 15.000 | 2.000 | 2.000 | 5.080 | 20.400 | 4.100 | - | 22200 | 0.840 | ✓ | ✓ | ✓ | ✓ | - | ✓ | - |
| C2060HSC | 2060 | 1.500 | 38.100 | 12.570 | 11.910 | 17.800 | 3.170 | 3.170 | 5.950 | 28.600 | 4.600 | - | 38000 | 1.440 | ✓ | ✓ | ✓ | ✓ | - | ✓ | - |
| C2080HSC | 2080 | 2.000 | 50.800 | 15.750 | 15.880 | 22.300 | 4.000 | 4.000 | 7.920 | 35.800 | 5.400 | - | 65000 | 2.350 | ✓ | ✓ | ✓ | ✓ | - | ✓ | - |
| C2100HSC | 2100 | 2.500 | 63.500 | 19.000 | 19.050 | 28.800 | 4.750 | 4.750 | 9.540 | 42.400 | 4.300 | - | 137000 | 3.470 | ✓ | ✓ | ✓ | ✓ | - | ✓ | - |
| C2120HSC | 2120 | 3.000 | 76.200 | 25.400 | 22.230 | 35.100 | 5.610 | 5.610 | 11.110 | 52.400 | 5.300 | - | 185900 | 4.930 | ✓ | ✓ | ✓ | ✓ | - | ✓ | - |
| C2160HSC | 2160 | 4.000 | 101.600 | 31.500 | 28.580 | 47.900 | 7.300 | 7.300 | 14.290 | 65.600 | 6.700 | - | 305500 | 8.000 | ✓ | ✓ | ✓ | ✓ | - | ✓ | - |

ANSI Standard Double Pitch Chain - Conveyor Series Large Roller

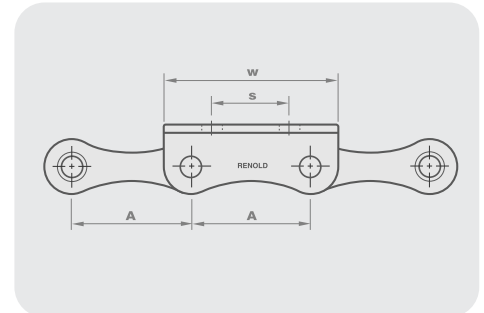
| | | A | A | B | C | D | E | F | G | H2 | J | K | | | | | | | | | |
|----------|-------|-------|---------|--------|--------|--------|-------|-------|--------|--------|-------|---|--------|--------|---|---|---|---|---|---|---|
| C2042HSC | 2042 | 1.000 | 25.400 | 7.850 | 15.880 | 11.800 | 1.500 | 1.500 | 3.970 | 16.400 | 3.900 | - | 14100 | 0.820 | ✓ | ✓ | ✓ | ✓ | - | ✓ | - |
| C2052HSC | 2052 | 1.250 | 31.750 | 9.400 | 19.050 | 15.000 | 2.000 | 2.000 | 5.090 | 20.400 | 4.100 | - | 22200 | 1.260 | ✓ | ✓ | ✓ | ✓ | - | ✓ | - |
| C2062HSC | 2062H | 1.500 | 38.100 | 12.570 | 22.230 | 17.800 | 3.170 | 3.170 | 5.950 | 28.600 | 4.600 | - | 38000 | 2.030 | ✓ | ✓ | ✓ | ✓ | - | ✓ | - |
| C2082HSC | 2082H | 2.000 | 50.800 | 15.750 | 28.580 | 22.300 | 4.000 | 4.000 | 7.920 | 35.800 | 5.400 | - | 65000 | 3.360 | ✓ | ✓ | ✓ | ✓ | - | ✓ | - |
| C2102HSC | 2102 | 2.500 | 63.500 | 19.000 | 39.670 | 28.800 | 4.750 | 4.750 | 9.540 | 42.400 | 4.300 | - | 137000 | 5.650 | ✓ | ✓ | ✓ | ✓ | - | ✓ | - |
| C2122HSC | 2122H | 3.000 | 76.200 | 25.400 | 44.450 | 35.100 | 5.610 | 5.610 | 11.110 | 52.400 | 5.300 | - | 185900 | 7.900 | ✓ | ✓ | ✓ | ✓ | - | ✓ | - |
| C2162HSC | 2162H | 4.000 | 101.600 | 31.500 | 57.150 | 47.900 | 7.300 | 7.300 | 14.290 | 65.600 | 6.700 | - | 305500 | 12.800 | ✓ | ✓ | ✓ | ✓ | - | ✓ | - |

Hydro-Service

Standard Double Pitch Chain Attachments

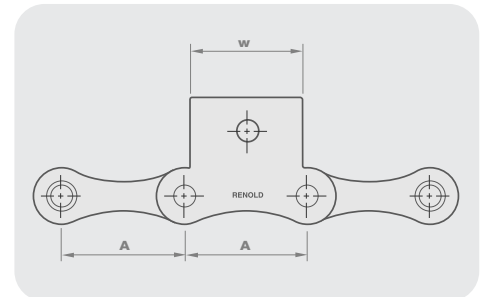
European (BS) K1 attachments

| Technical Details (mm) | | | | | | | | | | |
|------------------------|--------------|------------|-------|-------|--------|--------|--------|--------|--------|---------|
| Chain No. | Pitch (inch) | Pitch (mm) | | | | | | | | |
| | A | A | E | F | w | h | d | g | T | U |
| 208B | 1.000 | 25.400 | 1.510 | 1.510 | 23.800 | 8.500 | 4.300 | 5.800 | 27.600 | 42.500 |
| 210B | 1.250 | 31.850 | 1.510 | 1.510 | 25.400 | 10.500 | 5.300 | 7.400 | 31.600 | 48.500 |
| 212B | 1.500 | 38.100 | 1.760 | 1.760 | 20.000 | 12.200 | 6.400 | 8.200 | 35.200 | 54.800 |
| 216B | 2.000 | 50.800 | 3.700 | 3.000 | 40.000 | 17.000 | 8.400 | 10.300 | 58.000 | 83.800 |
| 220B | 2.500 | 63.500 | 4.400 | 4.100 | 40.000 | 21.000 | 10.500 | 11.300 | 69.000 | 98.700 |
| 224B | 3.000 | 76.200 | 5.400 | 5.000 | 70.000 | 28.000 | 10.500 | 16.700 | 88.000 | 124.700 |
| 24B | 1.500 | 38.100 | 5.400 | 5.000 | 36.000 | 28.000 | 10.500 | 16.700 | 88.000 | 124.700 |



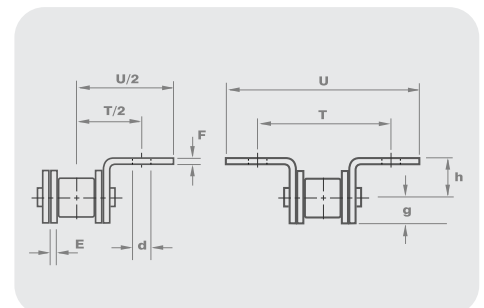
European (BS) M1 attachments

| Technical Details (mm) | | | | | | | | | | |
|------------------------|--------------|------------|-------|-------|--------|--------|--------|--------|--------|--|
| Chain No. | Pitch (inch) | Pitch (mm) | | | | | | | | |
| | A | A | E | F | w | e | f | d | g | |
| 208B | 1.000 | 25.400 | 1.510 | 1.510 | 23.800 | 20.800 | 13.700 | 4.300 | 5.800 | |
| 210B | 1.250 | 31.850 | 1.510 | 1.510 | 25.400 | 24.900 | 16.500 | 5.300 | 7.400 | |
| 212B | 1.500 | 38.100 | 1.730 | 1.730 | 20.000 | 28.300 | 18.500 | 6.400 | 8.200 | |
| 216B | 2.000 | 50.800 | 3.700 | 3.000 | 40.000 | 40.000 | 27.400 | 8.400 | 10.300 | |
| 220B | 2.500 | 63.500 | 4.400 | 4.100 | 40.000 | 48.700 | 33.000 | 10.500 | 11.300 | |
| 224B | 3.000 | 76.200 | 5.400 | 5.000 | 70.000 | 61.500 | 42.700 | 10.500 | 16.700 | |



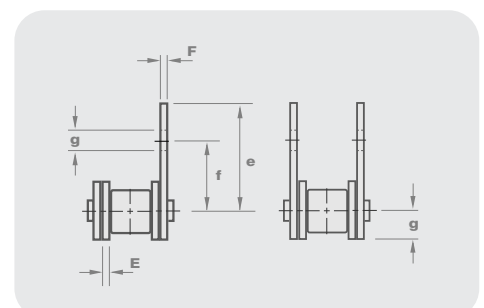
ANSI standard K1 attachments

| Technical Details (mm) | | | | | | | | | | |
|------------------------|--------------|------------|-------|-------|--------|--------|--------|--------|--------|--|
| Chain No. | Pitch (inch) | Pitch (mm) | | | | | | | | |
| | A | A | E | F | w | e | f | d | g | |
| C2040 | 1.000 | 25.400 | 1.524 | 1.524 | 19.050 | 19.888 | 11.100 | 5.309 | 5.740 | |
| C2050 | 1.250 | 31.750 | 2.007 | 2.007 | 23.800 | 24.613 | 14.300 | 7.112 | 7.391 | |
| C2060 | 1.500 | 38.100 | 3.175 | 3.175 | 28.600 | 30.201 | 17.501 | 8.407 | 8.788 | |
| C2080 | 2.000 | 50.800 | 3.988 | 3.988 | 38.100 | 40.488 | 22.200 | 10.389 | 10.287 | |
| C2100 | 2.500 | 63.500 | 4.750 | 4.750 | 47.625 | 50.394 | 31.750 | 13.894 | 14.300 | |
| C2120 | 3.000 | 76.200 | 5.563 | 5.563 | 57.150 | 54.762 | 37.313 | 15.875 | 17.475 | |
| C2160 | 4.000 | 101.600 | 7.137 | 7.137 | 76.200 | 76.200 | 50.800 | 21.031 | 23.825 | |



ANSI standard M1 attachments

| Technical Details (mm) | | | | | | | | | | |
|------------------------|--------------|------------|-------|-------|--------|--------|--------|--------|--------|--------|
| Chain No. | Pitch (inch) | Pitch (mm) | | | | | | | | |
| | A | A | E | F | w | e | f | d | g | s |
| C2040 | 1.000 | 25.400 | 1.524 | 1.524 | 19.050 | 19.888 | 13.487 | 3.505 | 5.740 | 9.500 |
| C2050 | 1.250 | 31.750 | 2.007 | 2.007 | 23.800 | 24.613 | 15.900 | 5.309 | 7.391 | 11.913 |
| C2060 | 1.500 | 38.100 | 3.175 | 3.175 | 28.600 | 30.201 | 18.999 | 5.309 | 8.788 | 14.300 |
| C2080 | 2.000 | 50.800 | 3.988 | 3.988 | 38.100 | 40.488 | 25.400 | 7.112 | 10.287 | 18.999 |
| C2100 | 2.500 | 63.500 | 4.750 | 4.750 | 47.625 | 50.394 | 31.750 | 8.738 | 14.300 | 23.800 |
| C2120 | 3.000 | 76.200 | 5.563 | 5.563 | 57.150 | 54.762 | 37.313 | 10.312 | 17.475 | 28.575 |
| C2160 | 4.000 | 101.600 | 7.137 | 7.137 | 76.200 | 76.200 | 50.800 | 13.894 | 23.825 | 38.100 |



Australia**Melbourne (Victoria)**

Tel: + 61 (0) 3 9262 3333
Fax: + 61 (0) 3 9561 8561
e-mail: melsmg@renold.com.au

*also at: Sydney, Brisbane, Adelaide, Perth,
Newcastle, Wollongong, Townsville*

Austria**Vienna**

Tel: + 43 (0) 1 330 3484
Fax: + 43 (0) 1 330 3484-5
e-mail: office@renold.at

*also at: Budapest (Hungary),
Zlin (Czech Republic)*

Belgium**Brussels**

Tel: + 32 (0) 2 201 1262
Fax: + 32 (0) 2 203 2210
e-mail: info@renold.be

Canada**Montreal (Quebec)**

Tel: + 1 514 367 1764
Fax: + 1 514 367 4993
e-mail: inquiry@renoldcanada.com

China**Shanghai**

Tel: + 21 5046 2696
Fax: + 21 5046 2695
e-mail: sales@renold.cn

France**Seclin**

Tel: + 33 (0) 320 16 29 29
Fax: + 33 (0) 320 16 29 00
e-mail: contact@brampton-renold.com

Germany**Einbeck**

Tel: + 49 (0) 5562 810
Fax: + 49 (0) 5562 81130
e-mail: info@renold.de

also at: Düsseldorf

India**Coimbatore**

Tel: +91 - 422 2532325 / 3911108
Fax: +91 - 422 2532333 / 2534470
e-mail: marketing@renold.in

Malaysia**Selangor Darul Ehsan**

Tel: + 60 3-5122 7880
Fax: + 60 3-5122 7881
e-mail: malaysia@renold.com

also at: Johor Bharu, Ipoh, Penang

Netherlands**Amsterdam**

Tel: + 31 (0) 20 6146661
Fax: + 31 (0) 20 6146391
e-mail: info@renold.nl

New Zealand**Auckland**

Tel: + 64 9828 5018
Fax: + 64 9828 5019
e-mail: aksales@renold.co.nz

also at: Christchurch

Philippines**Paranaque City**

Tel: + 63 2 829 6086
Fax: + 63 2 826 5211

Poland

Tel: + 48 663 842 487
e-mail: info@renold.pl

Russia**Moscow**

Tel: + 7 495 645 2250
Fax: + 7 495 645 2251
e-mail: info@renold.ru

Scandinavia**Hvidovre (Copenhagen)**

Tel: + 45 43 45 26 11
Fax: + 45 43 45 65 92
e-mail: infor@renold.com

Singapore

Tel: + 65 6760 2422
Fax: + 65 6760 1507
e-mail: sales@renold.sg

South Africa**Benoni (Johannesburg)**

Tel: + 27 11 747 9500
Fax: + 27 11 747 9505
e-mail: sales@renold.co.za

*also at: Richards Bay,
Port Elizabeth, Cape Town*

Spain**Gavá (Barcelona)**

Tel: + 34 93 638 9641
Fax: + 34 93 638 0737
e-mail: spain@renold.com

Switzerland**Dübendorf (Zürich)**

Tel: + 41 (0) 44 824 8484
Fax: + 41 (0) 44 824 8411
e-mail: duebendorf@renold.com

also at: Crissier (Lausanne)

UK**Burton upon Trent**

Tel: + 44 (0) 1283 512940
Fax: + 44 (0) 1283 512628
e-mail: ukchain@renold.com

USA**Morristown TN**

Tel: + 1 800 251 9012
Fax: + 1 423 581 2399
e-mail: sales@renoldjeffrey.com

*For other country distributors please consult
www.renold.com.*

*Whilst all reasonable care is taken in compiling
the information contained in this brochure, no
responsibility is accepted for printing errors.*

*All information contained in this brochure is
subject to change after the date of publication.*

© Renold Power Transmission 2009.
Ref: REN6 / ENG / 07.09

RENOLD
Superior Chain Technology